

photomultiplier power supply PS2010/12 data sheet

1 description

The PS2010/12 is a compact modular positive power supply that provides up to +2000 V from a +12 V supply. This is a high performance power supply and yet has low power consumption.

2 applications

for use where low power consumption is important
for use with active or conventional voltage dividers with a total resistance of 20 M

3 features

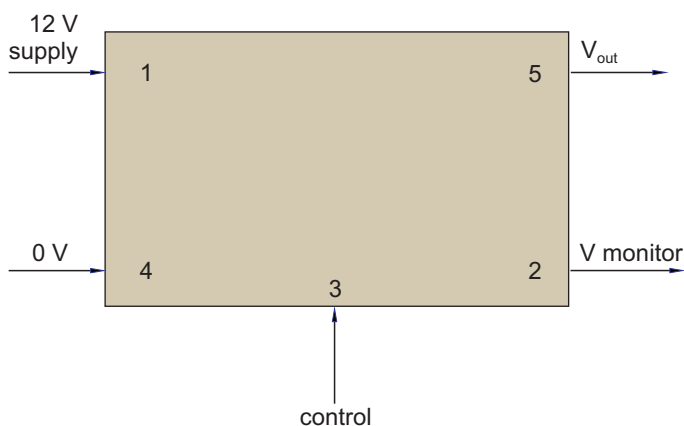
compact size
low power consumption
highly stable output
output voltage monitor



4 characteristics

input voltage range	+11.75 to +12.25
input current (full load)	< 27 mA
polarity reversal	unprotected
high voltage	0 to + 2000 V
output current (at 2000 V) max.	100 μ A
V_{out} stability	< 0.01 % $^{\circ}$ C ⁻¹
output ripple p-p (20 M /10 pF)	< 40 mV
output voltage monitor	0 to 4.76 V
voltage monitor impedance	10 M
ratings:	
temperature:	
operation	0 to 60 $^{\circ}$ C
storage	-10 to + 70 $^{\circ}$ C
power dissipation	325 mW
programming options:	
external control voltage	0 to 2.44 V

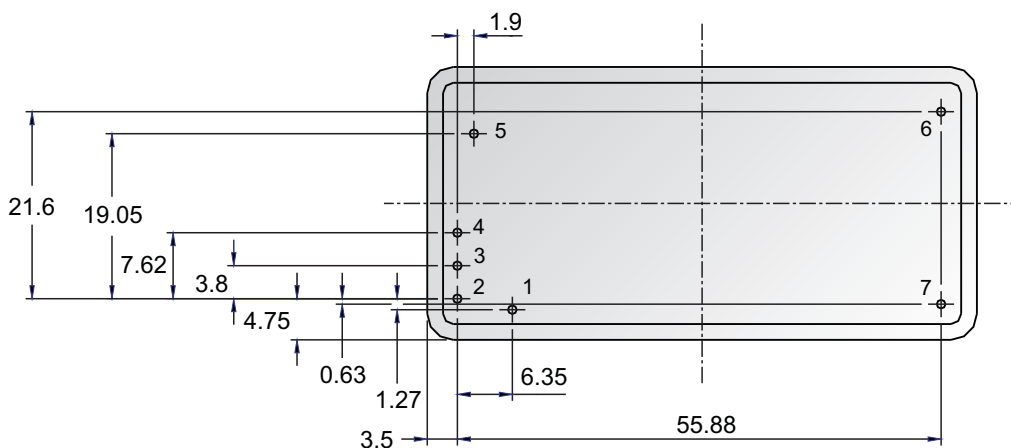
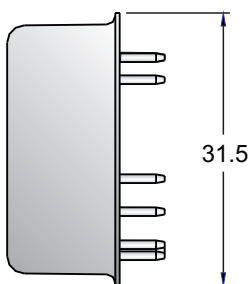
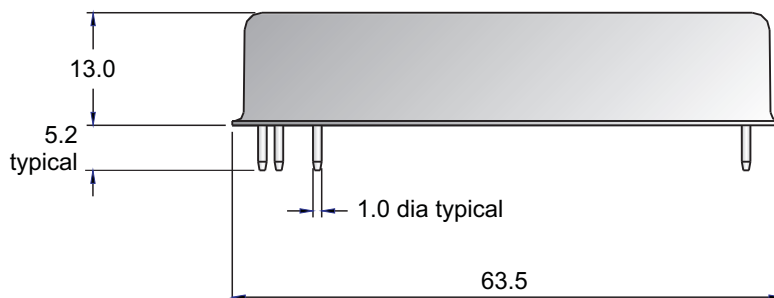
5 programming



6 external dimensions (mm)

pin connections

pin 1	+12 V supply
pin 2	monitor output
pin 3	control input
pin 4	ground
pin 5	V_{out}
pin 6	support (grounded)
pin 7	support (grounded)



7 warning

High voltages generated by this product may present an electrical shock hazard. It should be installed and serviced only by qualified personnel and operated in accordance with the specified ratings. Operation beyond the maximum ratings, or reversal of the input voltage may result in loss of performance or permanent damage. The maximum voltage rating of the photomultiplier used with the power supply must not be exceeded.