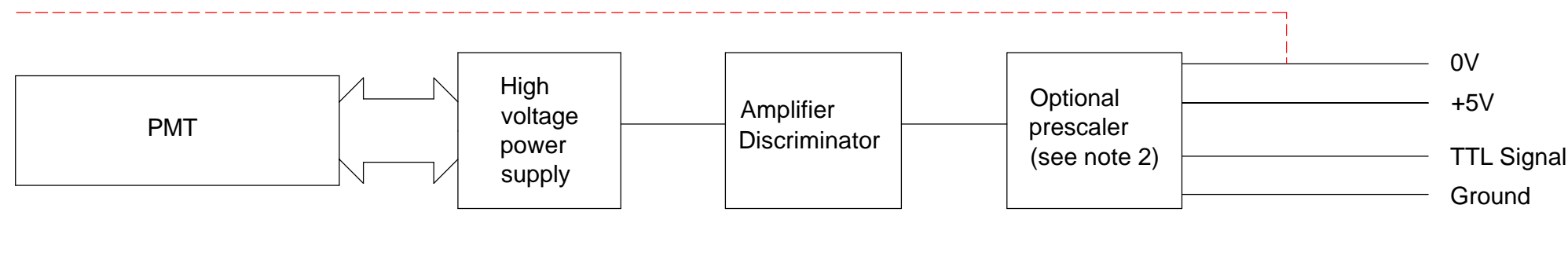


Block schematic

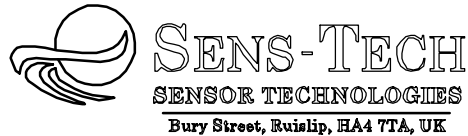
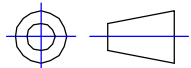


| Package type | Photomultiplier type |
|--------------|----------------------|
| P25PC | 9111B80 |
| P25PC-02 | 9111WB81 |
| P25PC-03 | 9112B80 |
| P25PC-05 | 9113B80 |
| P25PC-06 | 9113QB80 |
| P25PC-08 | 9111WB80 |
| P25PC-10 | 9113A |

Note

1. Case finish, matt black powder coat.
2. Integral prescaler option, factory set to divide the output count rate by any chosen even integer from 2 to 32.

Sales drawing

| | | | | | | | |
|--|--|----------|------------|------|----------|-------------------------------|--------------------------|
|  <p>SENS-TECH SENSOR TECHNOLOGIES Bury Street, Buislip, HA4 7TA, UK</p> | Issue | Date | C/Note No. | Sign | Material | Drawn by M. Stoodley | Project |
| | 11 | 22.10.07 | S00050 | AS | | Date 12 Januray 1998 | P25PC |
| Limits on all dimensions unless otherwise stated | | | | | Finish | Scale 1:1 | Title |
| | | | | | | Checked M Stoodley | Photodetector package |
| -Linear dimensions - ±0.1mm - -Angular dimensions - ±0.1° - | | | | | Code No. | Approved R Ellis | Drawing Number |
| | | | | | | Sheet size A3 F/DO007 issue 1 | 25894 C 198 Sheet 1 of 1 |
| Confidentiality Notice . This document (including all information contained therein) is owned by Sens-Tech Limited and must be kept in confidence and used solely for the owner's specified purposes. This document must not be copied or reproduced, nor divulged, in whole or part, without the owner's prior written consent. | THIRD ANGLE PROJECTION  | | | | | | |