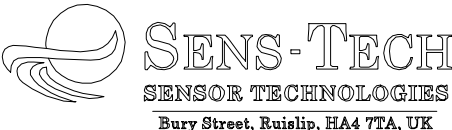


Part section on centre line

**Notes**

1. Case is internally connected to 0V.
2. Case finish, black powder coat.
3. Preset high voltage and discriminator levels.

**Sales Drawing**

 <p>Bury Street, Ruislip, HA4 7TA, UK</p>	Issue	Date	C/Note No.	Sign	Material	Drawn by M. Stoodley	Project
	1	05.03.09					Date 5 March 2009
	2	07.01.10	S00257	AS	Finish	Scale 1:1	Title
Limits on all dimensions unless otherwise stated					Surface finish	Checked M. Stoodley	Photodetector package
Linear dimensions $\pm 0.1\text{mm}$					Unless otherwise specified	Approved A. Sellars	Drawing Number
Angular dimensions $\pm 0.1^\circ$						Sheet size A3 F/DO007 issue 1	25894 G 2227 Sheet 1 of 1
<p><b>Confidentiality Notice</b> . This document (including all information contained therein) is owned by Sens-Tech Limited and must be kept in confidence and used solely for the owner's specified purposes. This document must not be copied or reproduced, nor divulged, in whole or part, without the owner's prior written consent.</p>						<p>THIRD ANGLE PROJECTION</p> 