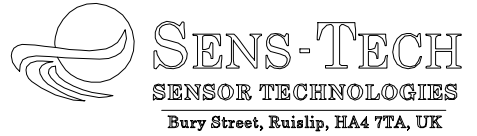
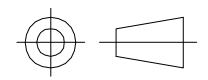


- Notes**
1. Finish:
Case, black powder coat
Front plate, black anodised.
 2. Supply 0V and signal return are internally connected to the module case.
 3. Module power input typically 5V, 12mA, with no light input 5V, 36mA, at max. count rate
 4. Standard module has TTL output via divide-by-2 prescaler. A no prescaler version, DM00xxC1, is available as factory preset option.

Sales Drawing

 Bury Street, Ruislip, HA4 7TA, UK	Issue	Date	C/Note No.	Sign	Material	Drawn by M. Stoodley	Project
	1	07.01.10				Date 7 January 2010	DM0087C
Limits on all dimensions unless otherwise stated -Linear dimensions - ±0.1mm- -Angular dimensions - ±0.1°-					Finish	Scale 1:1	Title
					Surface finish Unless otherwise specified	Checked M. Stoodley	Photodetector module
Confidentiality Notice . This document (including all information contained therein) is owned by Sens-Tech Limited and must be kept in confidence and used solely for the owner's specified purposes. This document must not be copied or reproduced, nor divulged, in whole or part, without the owner's prior written consent.					THIRD ANGLE PROJECTION 	Approved A. Sellars	Drawing Number
						Sheet size A3 F/DO007 issue 1	25894 G 2329 Sheet 1 of 1